

DRIVER, TRACK AND RESULTS

DRIVER _____ COUNTRY _____ WEATHER AIR TEMP _____ TRACK TEMP _____ DRY INTERMEDIATE WET

TRACK _____ TRACTION LOW MEDIUM HIGH COMMENTS _____

RACE _____ DATE _____ QUALY POS. _____ QUALY TIME _____ STARTING POS. _____ FINAL POS. _____

1ST	SPUR GEARS			2ND		
<input type="checkbox"/> 61	<input type="checkbox"/> 62	<input type="checkbox"/> 63	<input type="checkbox"/> 56	<input type="checkbox"/> 57	<input type="checkbox"/> 58	

1ST	PINION			2ND		
<input type="checkbox"/> 18	<input type="checkbox"/> 19	<input type="checkbox"/> 20	<input type="checkbox"/> 23	<input type="checkbox"/> 24	<input type="checkbox"/> 25	

FRONT	SHOCK ABSORBERS				REAR
	cst	OIL			cst
	SPRINGS				
	mm		REBOUND		mm
<input type="checkbox"/>	<input type="checkbox"/>	<input type="checkbox"/>	<input type="checkbox"/>	<input type="checkbox"/>	<input type="checkbox"/>

ANTI-ROLL BARS	
FRONT ANTI-ROLL BAR _____	REAR ANTI-ROLL BAR _____

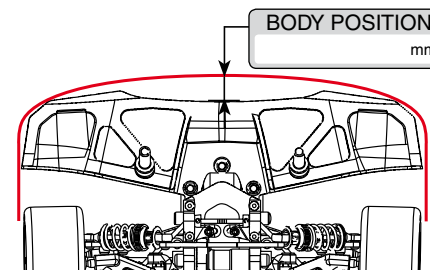
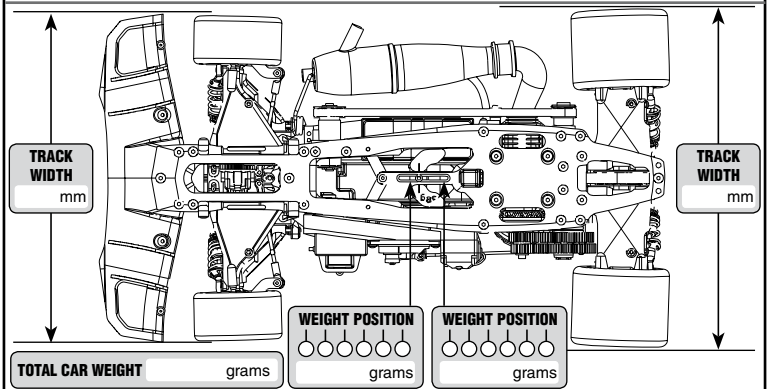
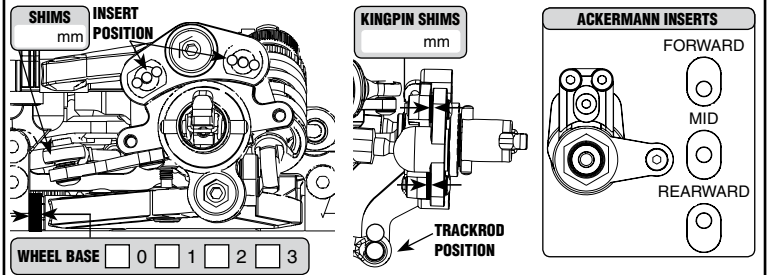
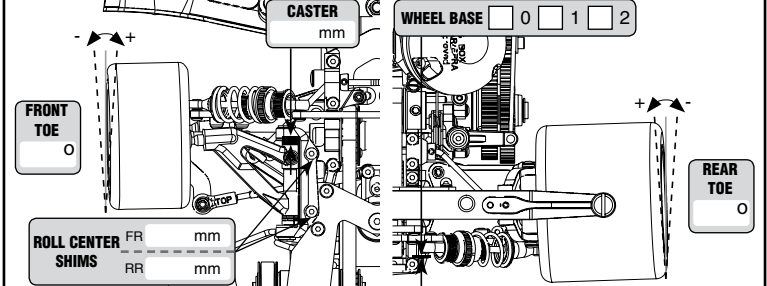
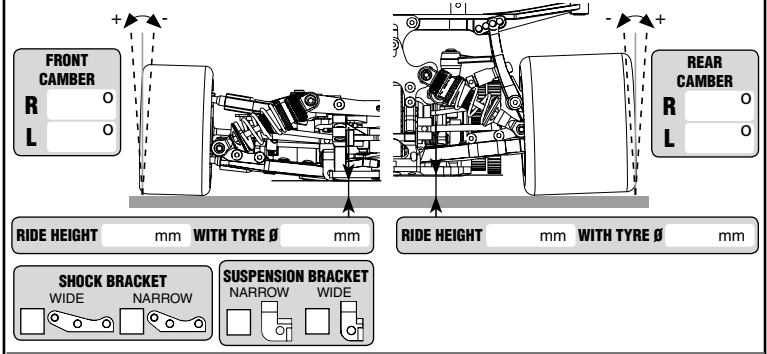
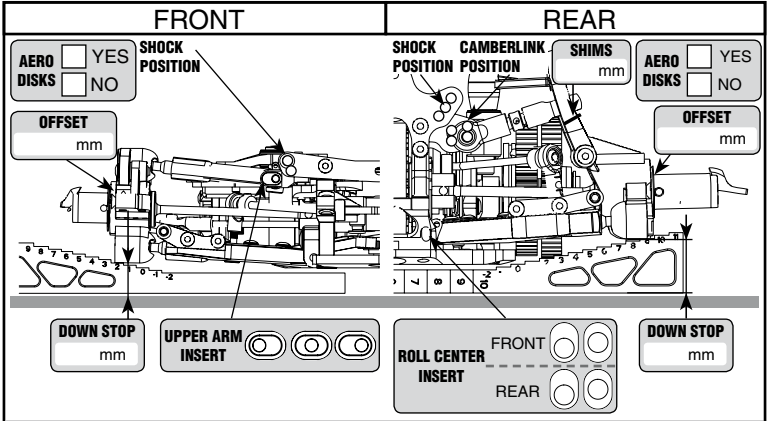
FRONT TYRES	Controlled Tyre <input type="checkbox"/>	REAR
MAKE _____		
SHORE _____		
DIAMETER _____		
5-MIN WEAR _____		

POWER PACK	
ENGINE	
BRAND _____	TYPE _____
GLOWPLUG _____	CARBØ _____ mm HEAD CLEARANCE _____ mm
EXHAUST	
PIPE _____	MANIFOLD _____
FUEL	
BRAND _____	NITRO _____

CLUTCH	
CLUTCH BELL <input type="checkbox"/> ALU <input type="checkbox"/> STEEL	CLUTCH SHOE <input type="checkbox"/> RED <input type="checkbox"/> YELLOW <input type="checkbox"/> BLACK
CLUTCH SPRING _____	CLUTCH BELL GAP _____ mm

FLEX CONFIGURATION		
FR WISHBONES INSERTS	RR WISHBONES INSERTS	FLEX
<input type="checkbox"/> PLASTIC <input type="checkbox"/> CARBON	<input type="checkbox"/> PLASTIC <input type="checkbox"/> CARBON	<input type="checkbox"/> YES <input type="checkbox"/> NO

AERODYNAMIC CONFIGURATION	
BODY BRAND _____	BODY POSITION _____ mm
BODY TYPE _____	
BUMPER INSERTS <input type="checkbox"/> OPEN <input type="checkbox"/> CLOSE	
AIR TRIM POSITION _____ mm	

REMARKS _____