

DRIVER, TRACK AND RESULTS

DRIVER COUNTRY WEATHER AIR TEMP TRACK TEMP DRY INTERMEDIATE WET

TRACK TRACTION LOW MEDIUM HIGH COMMENTS

RACE DATE QUALY POS. QUALY TIME STARTING POS. FINAL POS.

1ST	SPUR GEARS			2ND		
<input type="checkbox"/> 61	<input type="checkbox"/> 62	<input type="checkbox"/> 63	<input type="checkbox"/> 56	<input type="checkbox"/> 57	<input type="checkbox"/> 58	

1ST	PINION			2ND		
<input type="checkbox"/> 18	<input type="checkbox"/> 19	<input type="checkbox"/> 20	<input type="checkbox"/> 23	<input type="checkbox"/> 24	<input type="checkbox"/> 25	

FRONT	SHOCK ABSORBERS		REAR
OIL <input type="text"/>	cst		OIL <input type="text"/>
SPRINGS <input type="text"/>		SPRINGS <input type="text"/>	
<input type="checkbox"/> <input type="checkbox"/> <input type="checkbox"/> <input type="checkbox"/> <input type="checkbox"/> <input type="checkbox"/>		<input type="checkbox"/> <input type="checkbox"/> <input type="checkbox"/> <input type="checkbox"/> <input type="checkbox"/> <input type="checkbox"/>	

<input type="checkbox"/> FRONT	HEAVE DAMPER		<input type="checkbox"/> REAR
OIL <input type="text"/>	cst		OIL <input type="text"/>
SPRINGS <input type="text"/>		SPRINGS <input type="text"/>	
<input type="checkbox"/> <input type="checkbox"/> <input type="checkbox"/> <input type="checkbox"/> <input type="checkbox"/> <input type="checkbox"/>		<input type="checkbox"/> <input type="checkbox"/> <input type="checkbox"/> <input type="checkbox"/> <input type="checkbox"/> <input type="checkbox"/>	

ANTI-ROLL BARS	
FRONT ANTI-ROLL BAR <input type="text"/>	REAR ANTI-ROLL BAR <input type="text"/>

FRONT TYRES	Controlled Tyre <input type="checkbox"/>	REAR
MAKE <input type="text"/>		
SHORE <input type="text"/>		
DIAMETER <input type="text"/>		
5-MIN WEAR <input type="text"/>		

POWER PACK	
ENGINE BRAND <input type="text"/>	TYPE <input type="text"/>
GLOWPLUG <input type="text"/>	CARBØ <input type="text"/> mm HEAD CLEARANCE <input type="text"/> mm

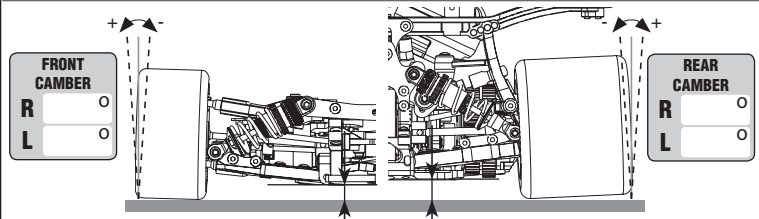
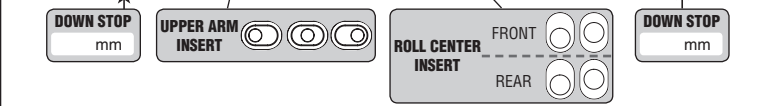
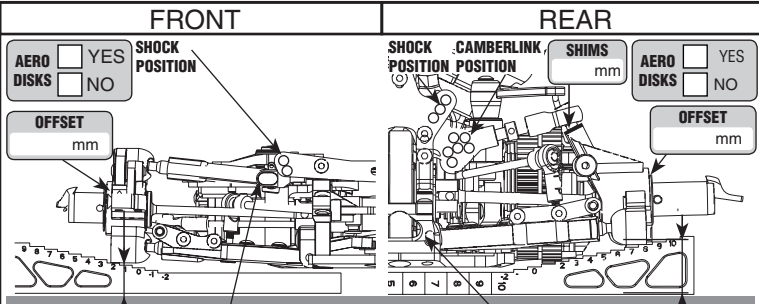
EXHAUST	
PIPE <input type="text"/>	MANIFOLD <input type="text"/>

FUEL	
BRAND <input type="text"/>	NITRO <input type="text"/>

CLUTCH	
CLUTCH BELL <input type="checkbox"/> ALU <input type="checkbox"/> STEEL	CLUTCH SHOE <input type="checkbox"/> RED <input type="checkbox"/> YELLOW <input type="checkbox"/> BLACK
CLUTCH SPRING <input type="text"/>	CLUTCH BELL GAP <input type="text"/> mm

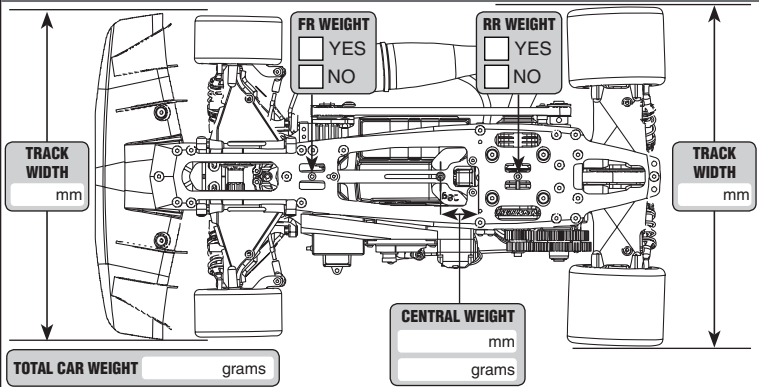
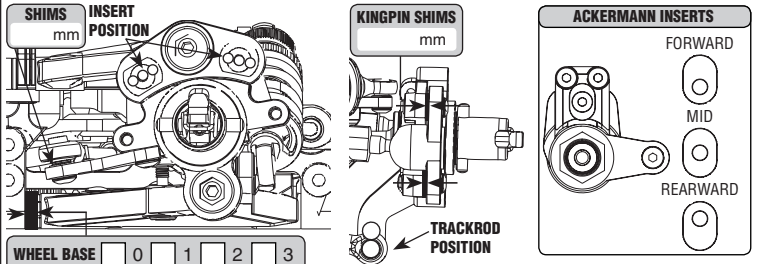
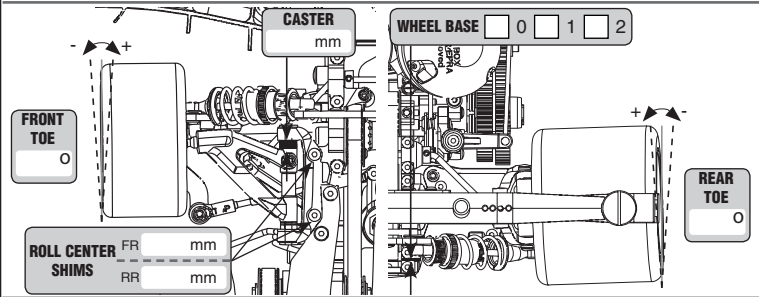
FLEX CONFIGURATION		
FR WISHBONES INSERTS <input type="checkbox"/> PLASTIC <input type="checkbox"/> CARBON	RR WISHBONES INSERTS <input type="checkbox"/> PLASTIC <input type="checkbox"/> CARBON	FLEX <input type="checkbox"/> YES <input type="checkbox"/> NO

AERODYNAMIC CONFIGURATION	
BODY BRAND <input type="text"/>	BODY POSITION <input type="text"/> mm
BODY TYPE <input type="text"/>	
AIR TRIM POSITION <input type="text"/> mm	



RIDE HEIGHT mm WITH TYRE Ø mm

RIDE HEIGHT mm WITH TYRE Ø mm



REMARKS