

## DRIVER, TRACK AND RESULTS

<b>DRIVER</b>		COUNTRY		<b>WEATHER</b> AIR TEMP		TRACK TEMP		<input type="checkbox"/> DRY <input type="checkbox"/> INTERMEDIATE <input type="checkbox"/> WET		
<b>TRACK</b>		TRACTION <input type="checkbox"/> LOW <input type="checkbox"/> MEDIUM <input type="checkbox"/> HIGH		COMMENTS						
<b>RACE</b>		DATE		QUALY POS.		QUALY TIME		STARTING POS.		FINAL POS.

FRONT	SHOCK ABSORBERS	REAR
cst OIL		cst
SPRINGS		
mm REBOUND		mm
N° HOLES	Ø mm PISTONS	N° HOLES Ø mm
<input type="checkbox"/> FLAT <input type="checkbox"/> CONICAL PISTON TYPE <input type="checkbox"/> FLAT <input type="checkbox"/> CONICAL		

ANTI-ROLL BARS	
FR ANTI-ROLL BAR	mm
RR ANTI-ROLL BAR	mm

DIFFERENTIAL OIL AND POSITION			
FRONT DIFF	POSITION	REAR DIFF	POSITION
	<input type="checkbox"/> LOW <input type="checkbox"/> MID LOW		<input type="checkbox"/> LOW <input type="checkbox"/> MID LOW
cst	<input type="checkbox"/> HIGH <input type="checkbox"/> MID HIGH	cst	<input type="checkbox"/> HIGH <input type="checkbox"/> MID HIGH

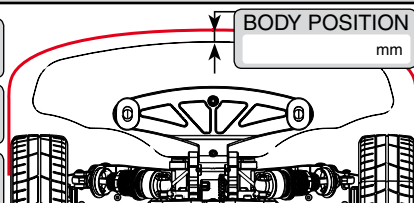
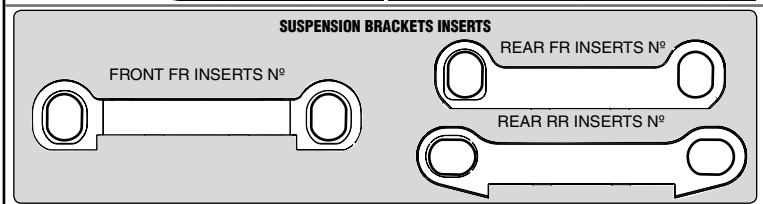
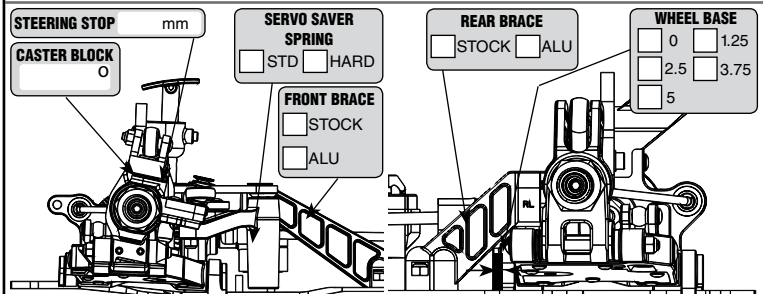
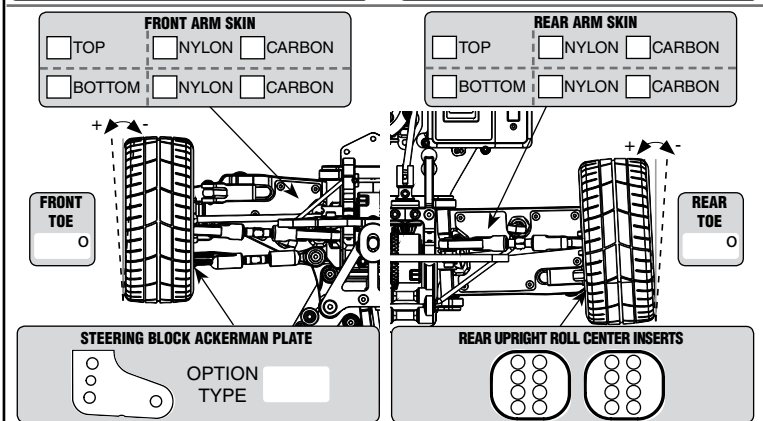
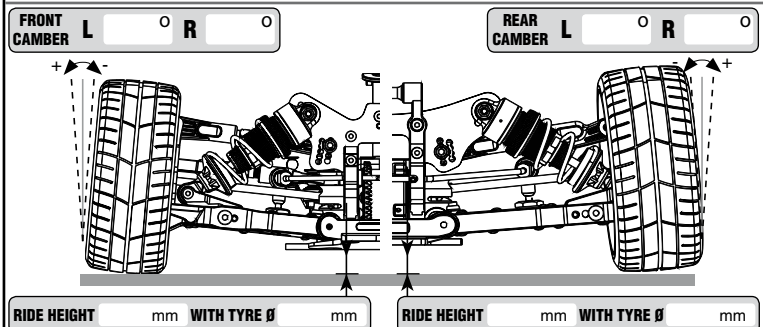
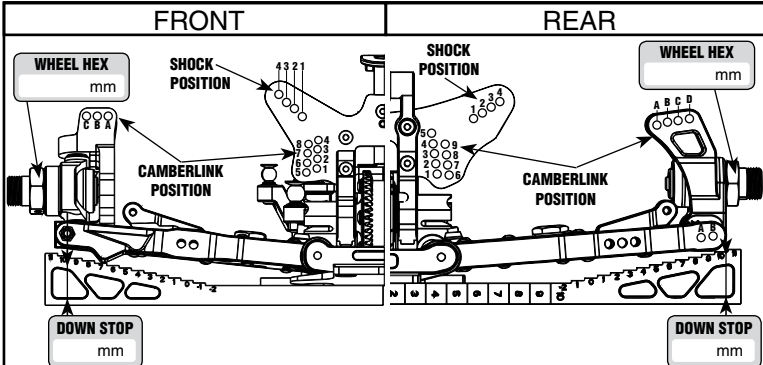
1ST	PINION AND SPUR GEAR	2ND
<input type="checkbox"/> 18 <input type="checkbox"/> 19 <input type="checkbox"/> 20	PINION	<input type="checkbox"/> 23 <input type="checkbox"/> 24 <input type="checkbox"/> 25
<input type="checkbox"/> 61 <input type="checkbox"/> 62 <input type="checkbox"/> 63	SPUR GEAR	<input type="checkbox"/> 56 <input type="checkbox"/> 57 <input type="checkbox"/> 58

CLUTCH	
CLUTCH BELL	FLYWHEEL
<input type="checkbox"/> STANDARD <input type="checkbox"/> VENTED	<input type="checkbox"/> STEEL <input type="checkbox"/> ALU
CLUTCH SHOES	CLUTCH SPRINGS
SHOE TYPE x with	SPRINGS TYPE mm
SHOE TYPE x with	SPRINGS TYPE mm

ENGINE, PIPE AND FUEL	
ENGINE BRAND	TYPE
HEADSHIMS mm	GLOWPLUG CARB Ø mm
EXHAUST PIPE	MANIFOLD
FUEL BRAND	NITRO %

FLEX CONFIGURATION	
ENGINE MOUNT	<input type="checkbox"/> STANDARD <input type="checkbox"/> MONOBLOCK
FRONT TIRES	Controlled Tire <input type="checkbox"/> REAR
MAKE	
TYPE	
INSERTS	
WHEELS	

AERODYNAMIC CONFIGURATION	
BODY BRAND & TYPE	BODY POSITION mm
WING BRAND & TYPE	
REAR DIFFUSER	<input type="checkbox"/> YES <input type="checkbox"/> NO

## REMARKS